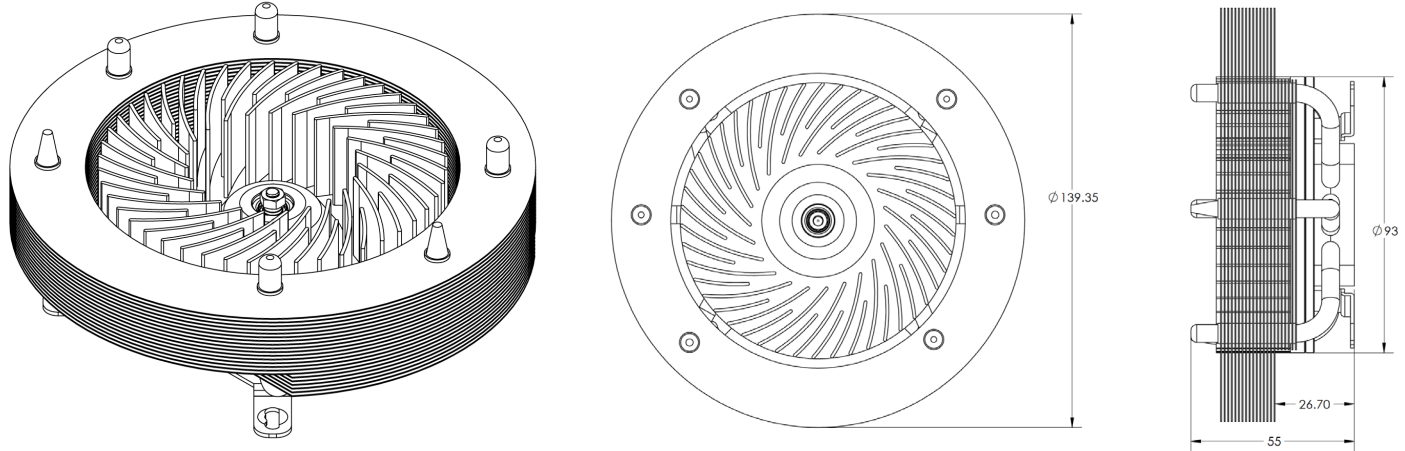


HPC Kinetic Cooler

Low Profile, Breakthrough Thermal Performance, Silent Operation

Mechanical Specifications



Performance Specifications

| | | |
|-----------------------------------|---------------|--------------------------------|
| Thermal Resistance @ 25 °C | 0.19 °C/W | Sink to Ambient (<i>Rsa</i>) |
| Sound Pressure | 22 dBA | Measured @ 1m from Inlet |
| Rated Voltage | 12 V | |
| Rated Current | 0.19 A | |
| Max Ambient Operating Temperature | 35 °C | For Engineering Samples |
| Bearing Lifetime @ 65 °C | 100,000 Hours | |
| Airflow | 30 CFM | |

All performance data in open air on a chip with 30mm x 30mm surface area

Thermal Resistance and Acoustic Performance

