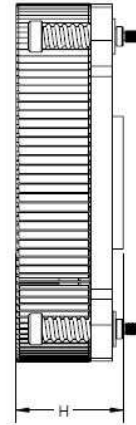
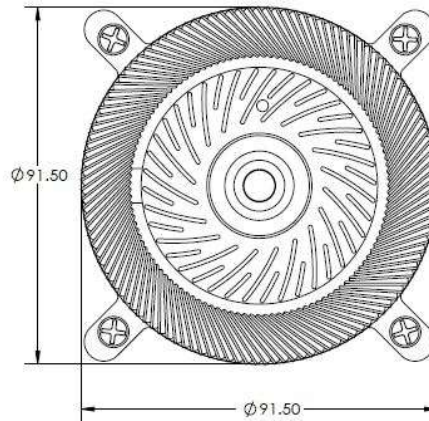
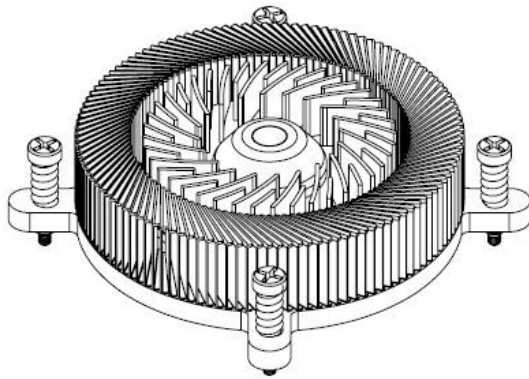


# 1U Kinetic Cooler

Product Data Sheet

Powered by Kinetic Cooling Technology™

## Specifications



P/N	M10002
Compatibility	Intel LGA 115x
Material	Aluminum / Copper
Height	27 mm
Weight / Mass	305 g
Speed Range	1500-2500 RPM
Rated Cooling Power	Core up to 70 W / Xeon E3 up to 84 W
Noise	14-25 +/- 1 dBA
Rated Voltage	12 V
Rated Current	0.09 A
Pin Connect	4-pin
L10 Lifetime @ 40 °C	50,000 Hours

Thermal Resistance & Acoustics (Typical)

